

# Service Schematics

## NOKIA 6110

### RM-122

## Introduction

### **Important:**

**This document is intended for use by authorized service centers only.**

“Service Schematics” was created with focus on customer care.  
The purpose of this document is to provide further technical repair information for NOKIA mobile phones on Level 3/4 service activities.  
It contains additional information such as e.g. “Component finder”.  
Saving process time and improving the repair quality is the aim of this document.  
It is to be used additionally to the service manual and other training or service information such as Service Bulletins.

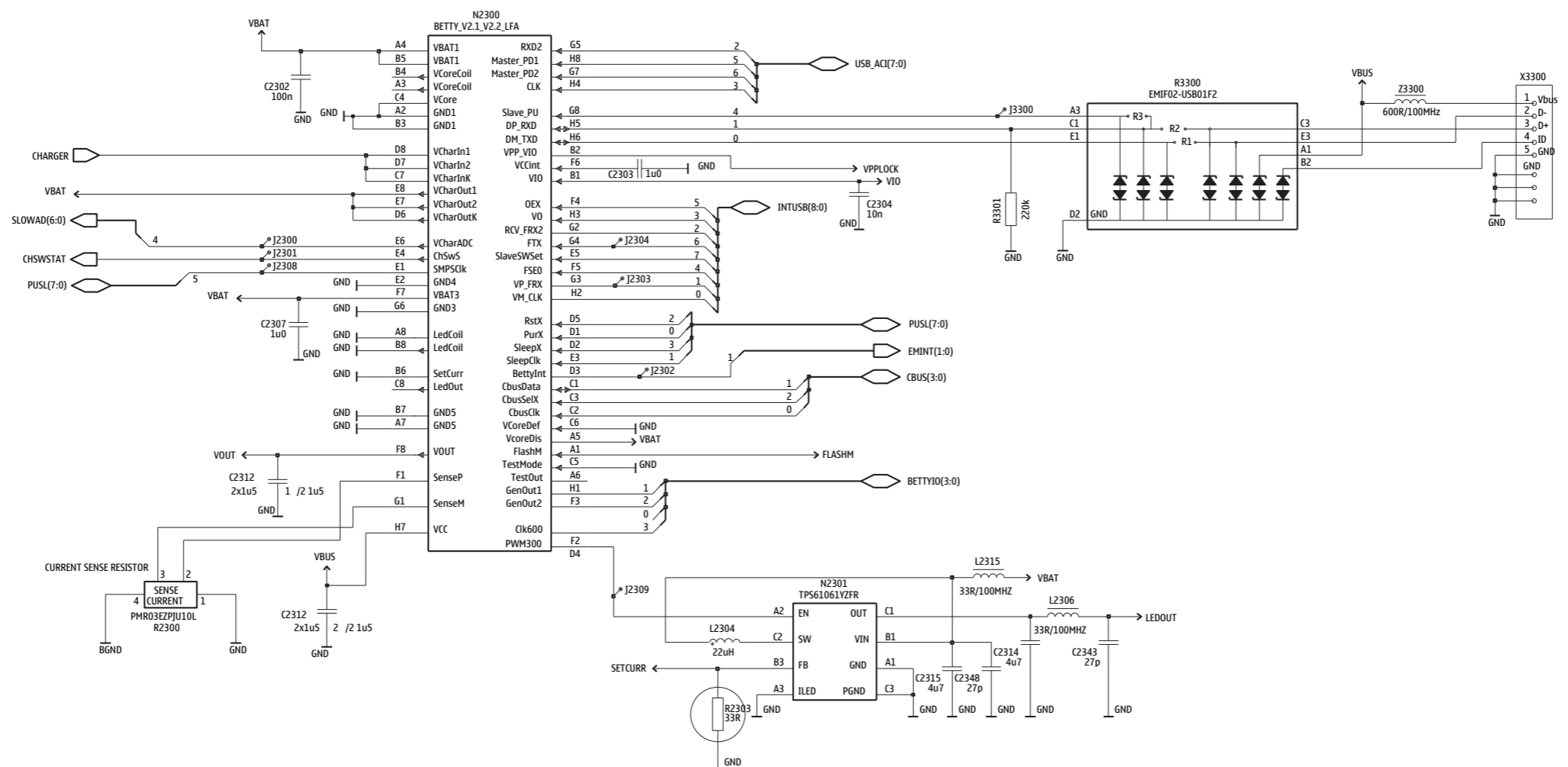
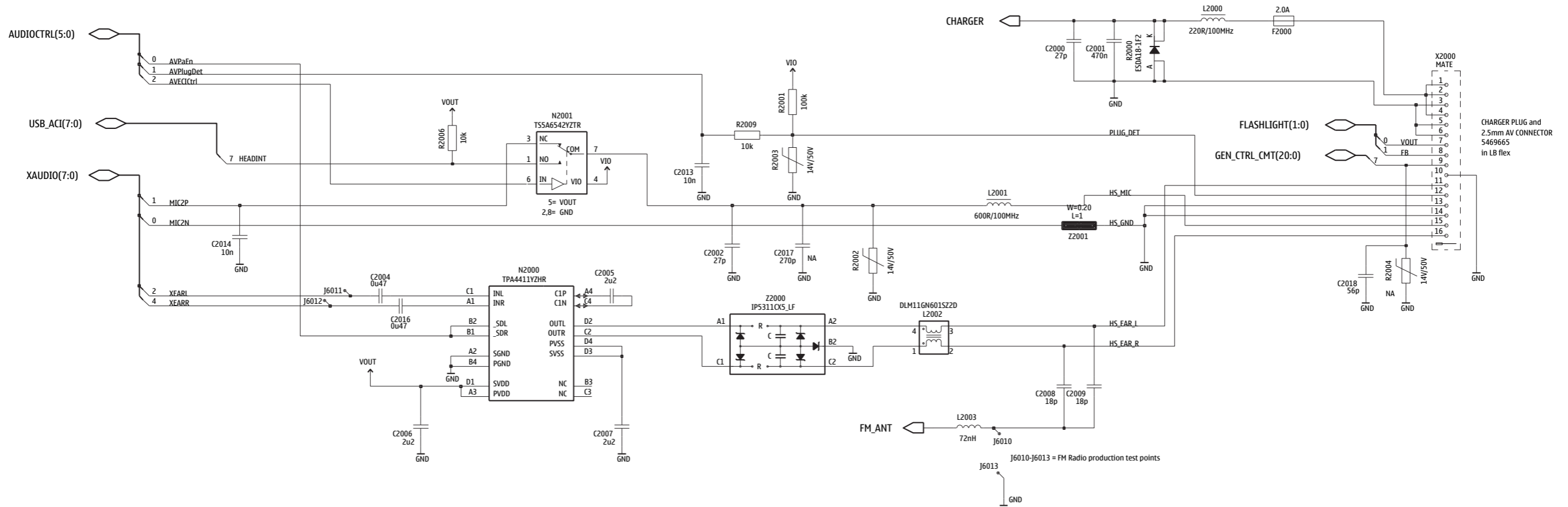
While every endeavour has been made to ensure the accuracy of this document, some errors may exist. If the reader finds any errors, NOKIA should be notified in writing.

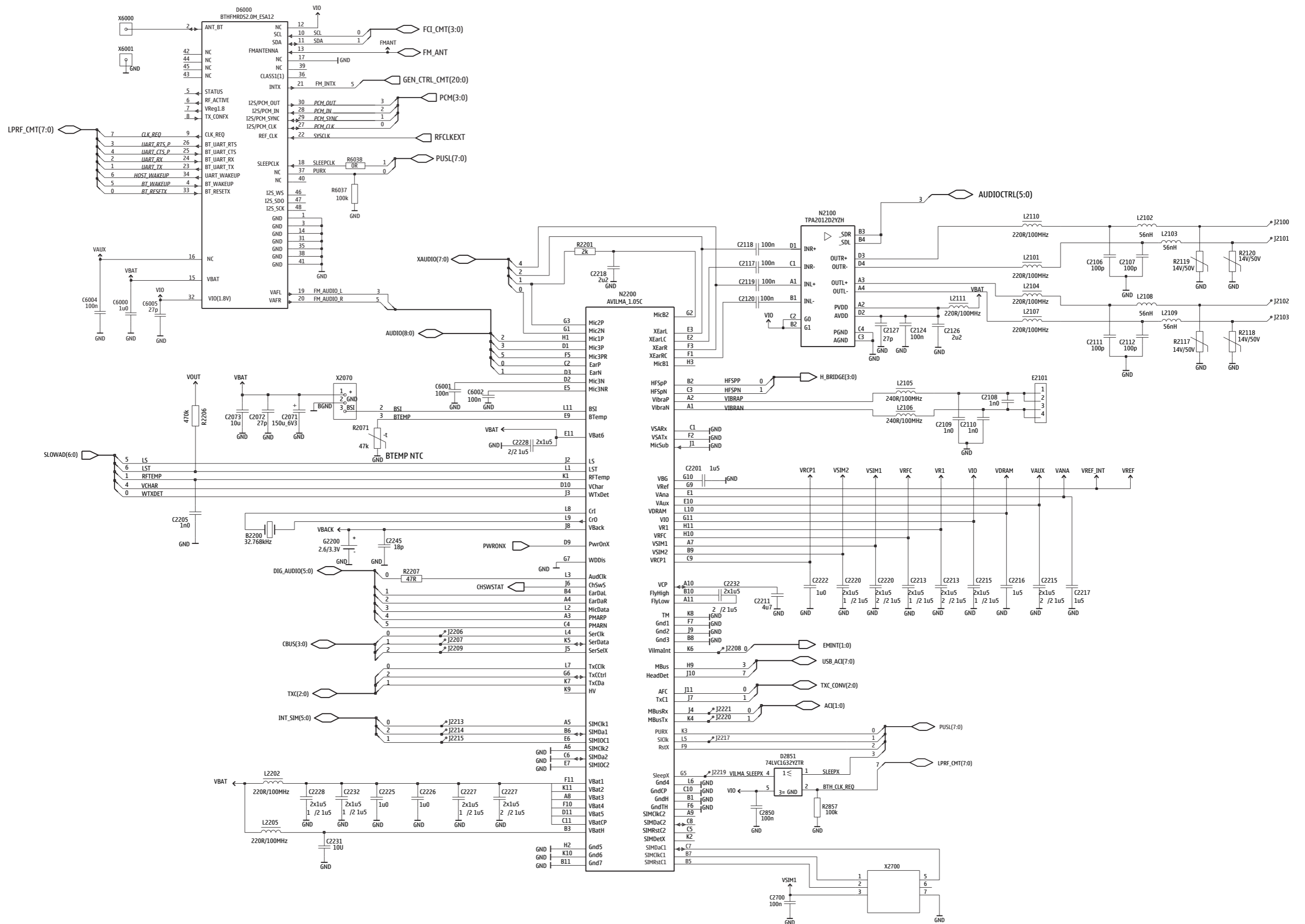
Please send E-Mail to: [training.sace@nokia.com](mailto:training.sace@nokia.com)

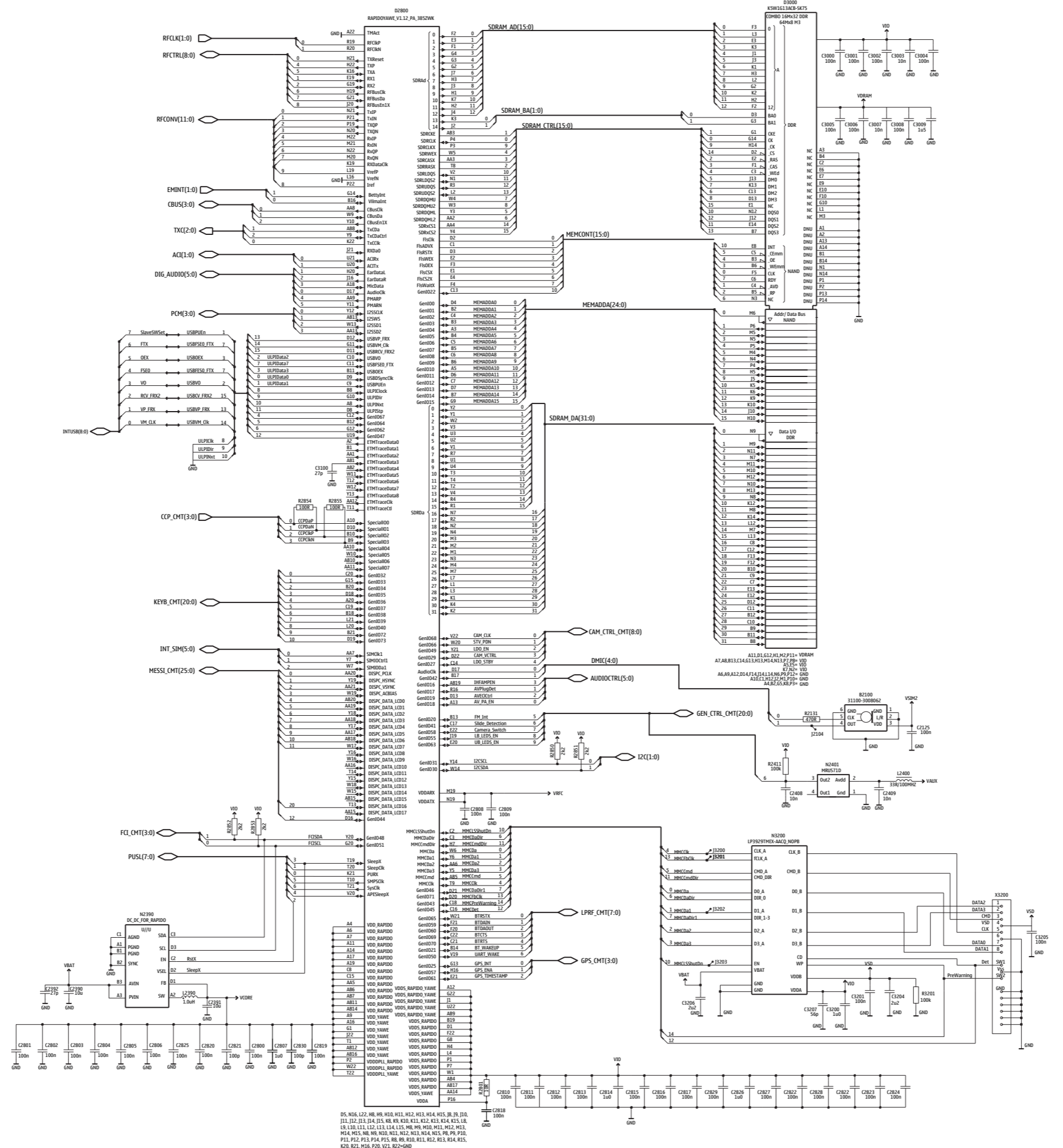


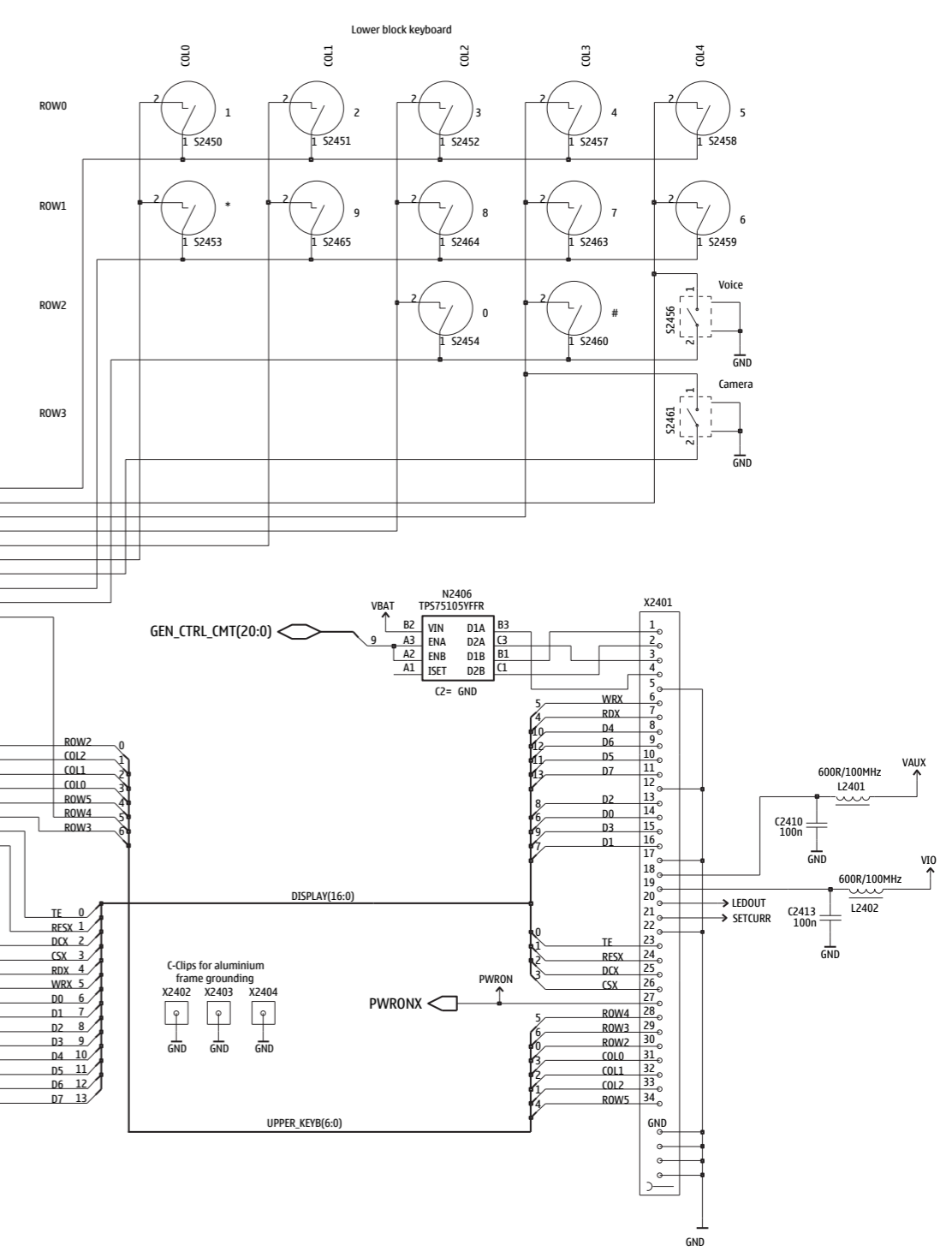
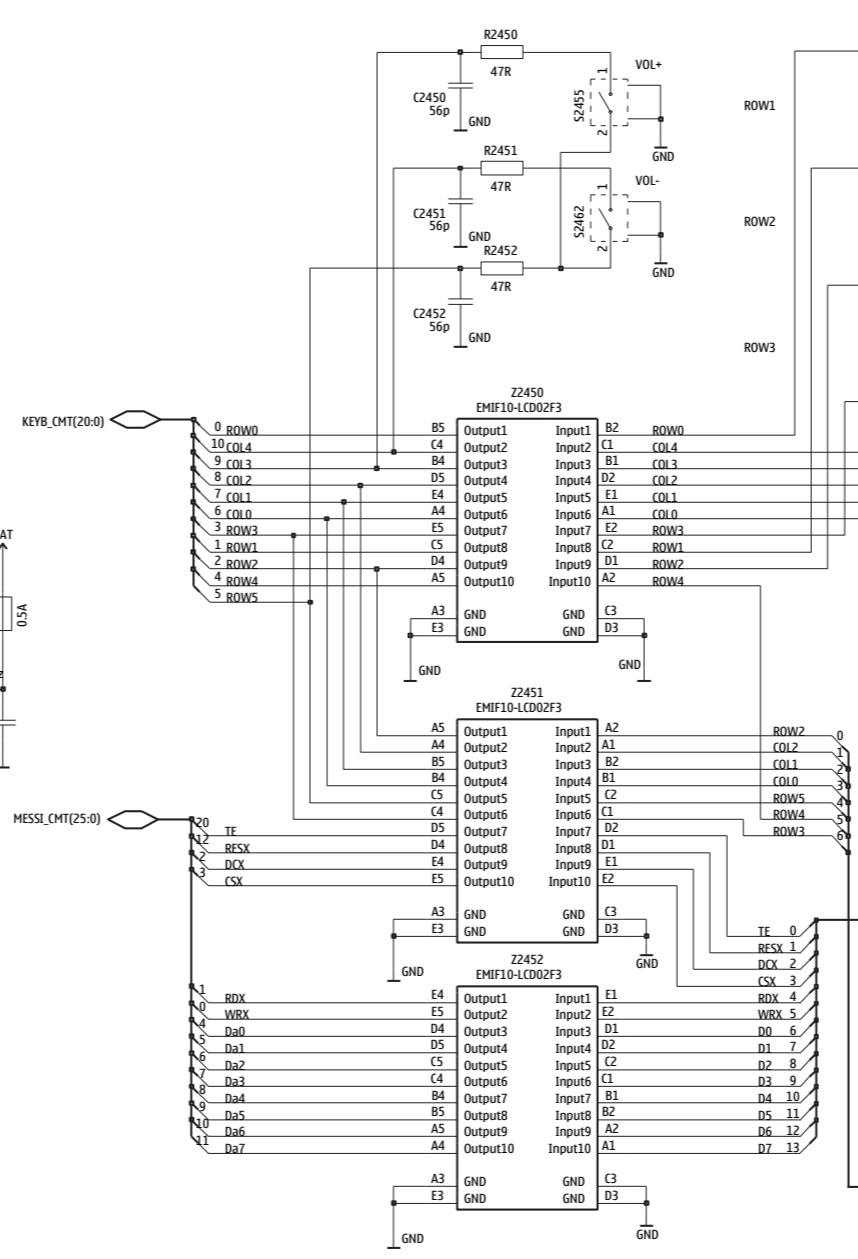
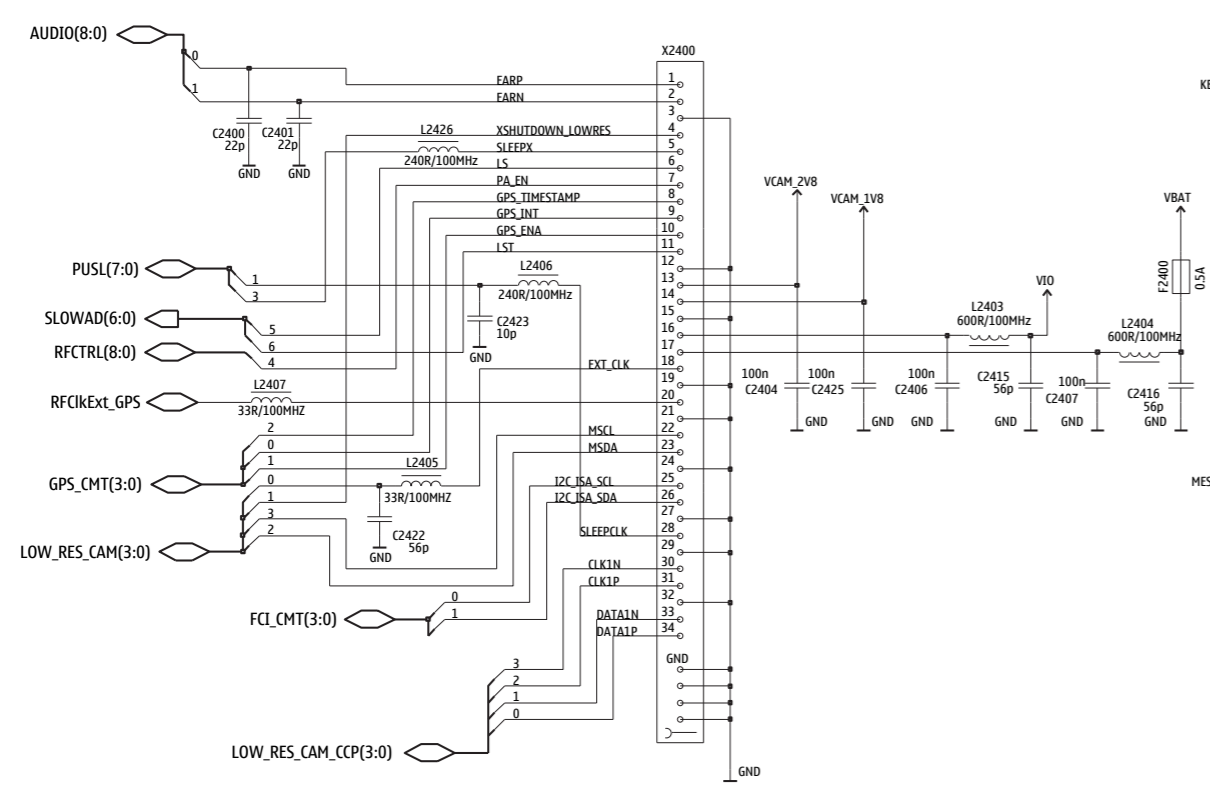
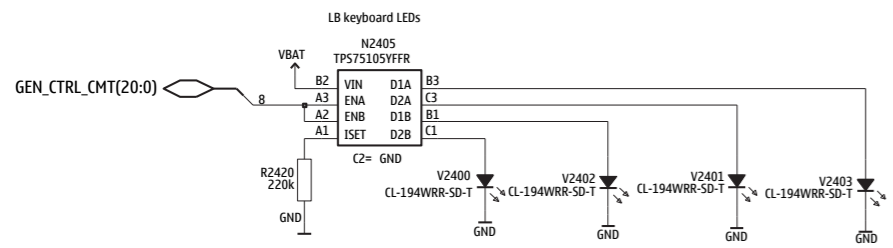
Table of contents	
Frontpage	1
BETTY, Mini USB, AV conn.	2
AVILMA, BTHFM, SIM, Audio	3
RAPIDO, Combo , microSD, MR sensor	4
User interface, keyboard, LED drivers	5
Lower PWB, GPS, Earpiece	6
Camera dirver, flash light	7
RF part	8
Component finder	9
Component finder Upper PWB	10

Copyright © NOKIA  
This material , including documentation and any related computer programs is protected by copyright, controlled by NOKIA. All rights are reserved. Copying, including reproducing, modifying, storing, adapting or translating any or all of this material requires the prior written consent of NOKIA. This material also contains confidential information, which may not be disclosed to others whitout the prior written consent of NOKIA.

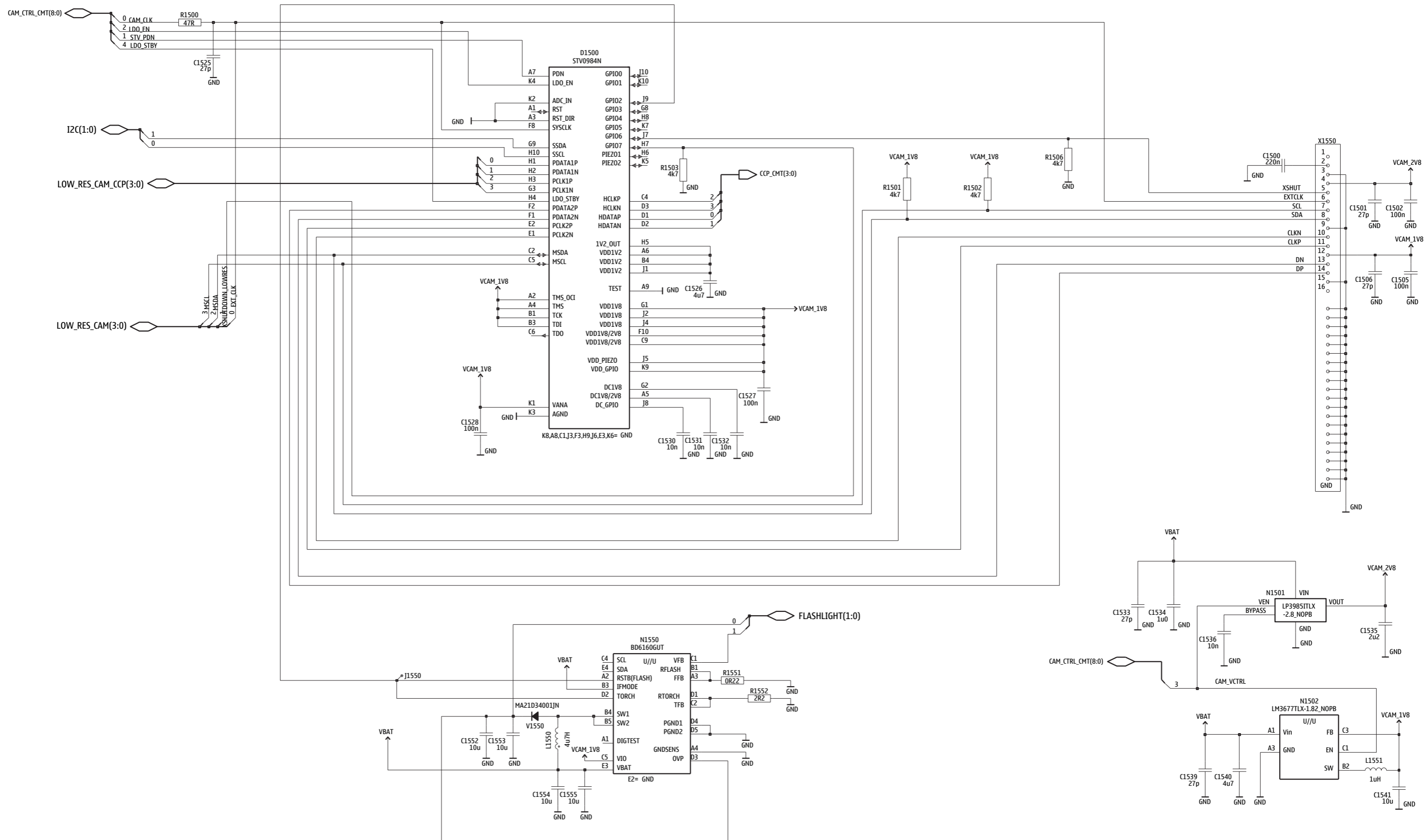








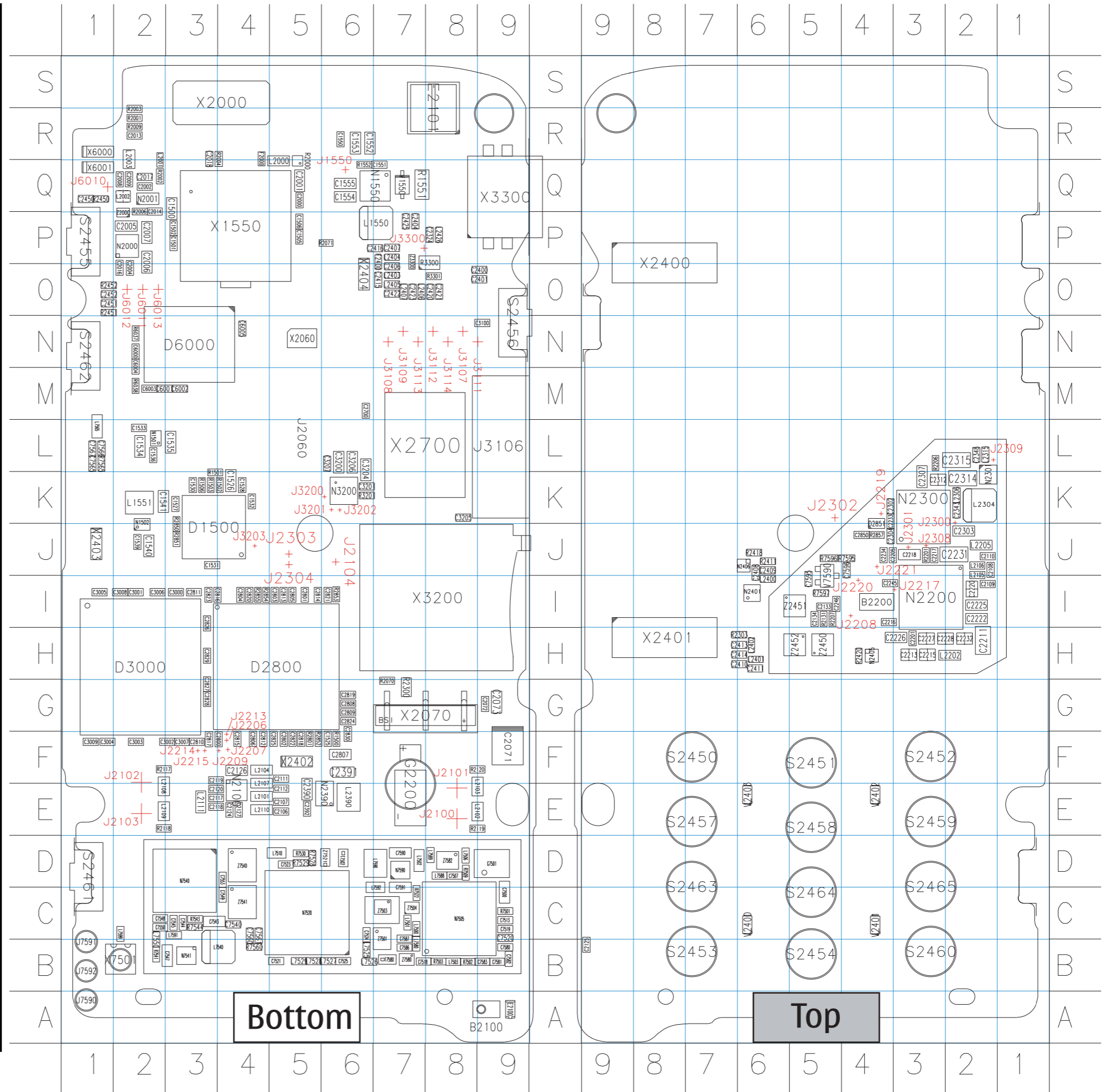








<b>B</b>	C2205	J4	C2810	F3	C7560	C4	J3202	K6	<b>N</b>	R6037	N2		
B2100	A9	C2211	H2	C2811	I3	C7561	C4	J3203	J4	N1501	L2	R6038	M2
B2200	I4	C2213	H3	C2812	F4	C7565	L1	J3300	P7	N1502	J2	R7501	C9
<b>C</b>	C2215	H3	C2813	I5	C7566	L1	J6010	Q1	N1550	Q7	R7502	B8	
C1500	Q3	C2216	I4	C2814	I5	C7567	L1	J6011	O2	N2000	P2	R7503	B8
C1501	P3	C2217	J3	C2815	F4	C7580	B9	J6012	Q2	N2001	Q2	R7509	D8
C1502	P3	C2218	J3	C2816	I4	C7581	B9	J6013	O2	N2100	E4	R7522	C7
C1505	P5	C2220	I2	C2817	F3	C7582	B9	J7590	A1	N2200	I3	R7528	D5
C1506	P5	C2222	I2	C2818	F5	C7583	B9	J7591	B1	N2300	K3	R7529	D5
C1525	F6	C2225	I2	C2819	G6	C7586	B7	J7592	B1	N2301	K2	R7530	D5
C1526	K4	C2226	H3	C2820	I4	C7587	C7	<b>L</b>	N2390	E6	R7541	B2	
C1527	K3	C2227	H3	C2821	I6	C7590	D7	L1550	P7	N2401	I6	R7543	C3
C1528	K4	C2228	H2	C2822	F5	C7591	C7	L1551	K2	N2405	H4	R7544	C3
C1530	K3	C2231	J2	C2823	I3	C7595	I5	L2000	Q5	N2406	J6	R7560	B4
C1531	J3	C2232	H2	C2824	G6	C7596	J4	L2001	Q2	N3200	K6	R7565	L1
C1532	K4	C2233	K4	C2825	F5	<b>D</b>	L2002	Q2	N7505	C8	R7595	J4	
C1533	L2	C2234	J4	C2826	I3	D1500	J3	L2003	R2	N7520	C5	R7596	J5
C1534	L2	C2245	I4	C2827	G3	D2800	H5	L2101	E4	N7540	D3	R7597	I5
C1535	L3	C2246	I5	C2828	G3	D2851	J4	L2102	E9	N7541	B3	<b>S</b>	
C1536	L2	C2302	K4	C2829	H3	D3000	H2	L2103	E9	N7590	D7	S2455	P1
C1539	J2	C2303	J2	C2830	F6	D6000	N3	L2104	F4	<b>R</b>	S2456	N9	
C1540	J2	C2304	J4	C2850	J4	<b>E</b>	L2105	J2	R1500	F6	S2461	D1	
C1541	K2	C2307	K3	C3000	I3	E2100	A9	L2106	J2	R1501	K3	S2462	N1
C1550	R6	C2312	K3	C3001	I2	E2101	R8	L2107	F4	R1502	K4	<b>T</b>	
C1551	Q7	C2314	K2	C3002	F3	<b>F</b>	L2108	E2	R1503	K3	T7502	D6	
C1552	R6	C2315	L2	C3003	F2	F2000	R4	L2109	E2	R1506	K3	T7580	B7
C1553	R6	C2324	P8	C3004	F1	F2400	P7	L2110	E4	R1551	Q7	<b>V</b>	
C1554	Q6	C2343	K2	C3005	I1	<b>G</b>	L2111	E3	R1552	Q6	V1550	Q7	
C1555	Q6	C2348	L2	C3006	I2	G2200	E7	L2202	H2	R2000	Q5	V2400	C6
C2000	Q5	C2390	E5	C3007	F3	G7501	D9	L2205	J2	R2001	R2	V2401	C4
C2001	Q5	C2391	F6	C3008	I2	<b>J</b>	L2304	K2	R2002	Q2	V2402	E4	
C2002	Q2	C2392	E5	C3009	F1	J1550	Q6	L2306	K2	R2003	R2	V2403	E6
C2004	Q2	C2400	O9	C3100	N9	J2100	E8	L2315	L2	R2004	R4	V7590	I5
C2005	P2	C2401	O9	C3200	L6	J2101	E8	L2390	E6	R2006	Q2	<b>X</b>	
C2006	P2	C2404	P7	C3201	K6	J2102	F2	L2400	I6	R2009	R2	X1550	P4
C2007	P2	C2406	O7	C3204	L6	J2103	E2	L2401	H6	R2070	G7	X2060	N5
C2008	Q2	C2407	P7	C3205	K8	J2104	J6	L2402	H6	R2071	P6	X2070	G8
C2009	Q2	C2408	J6	C3206	L6	J2206	F4	L2403	O7	R2117	F2	X2400	P8
C2013	R2	C2409	J6	C3207	L6	J2207	F4	L2404	P7	R2118	E2	X2401	H8
C2014	Q2	C2410	H6	C6000	N2	J2208	I4	L2405	O7	R2119	E9	X2402	F5
C2016	Q2	C2411	H6	C6001	M3	J2209	F4	L2406	O7	R2120	F9	X2403	J1
C2017	Q2	C2413	H6	C6002	M2	J2213	F4	L2407	O7	R2131	I5	X2404	O6
C2018	R3	C2414	H6	C6003	M2	J2214	F3	L2426	P8	R2201	J3	X2700	L8
C2071	F9	C2415	O7	C6004	N2	J2215	F3	L7500	C7	R2206	L3	X3200	I8
C2072	G9	C2416	P7	C6005	N4	J2217	I3	L7501	C7	R2207	I5	X3300	Q9
C2073	G9	C2420	O8	C7500	C9	J2219	K4	L7502	D7	R2300	G7	X6000	R1
C2106	E5	C2421	O8	C7507	D8	J2220	I4	L7503	B8	R2303	H6	X6001	Q1
C2107	E5	C2422	O7	C7513	C9	J2221	J4	L7506	D8	R2411	J6	X7501	B2
C2108	J2	C2423	O7	C7518	B7	J2300	K2	L7510	D5	R2418	J6	<b>Z</b>	
C2109	I2	C2425	P7	C7519	C9	J2301	J3	L7525	B6	R2420	H4	Z2000	P2
C2110	J2	C2450	Q1	C7520	C9	J2302	K5	L7526	B6	R2450	Q1	Z2450	H5
C2111	F5	C2451	O1	C7521	B5	J2308	J3	L7527	B6	R2451	O1	Z2451	I5
C2112	E5	C2452	O1	C7523	D5	J2309	L2	L7528	B5	R2452	O1	Z2452	H5
C2117	E3	C2700	M6	C7524	C6	J2303	J5	L7529	B5	R2801	F5	Z3300	P7
C2118	E3	C2800	F4	C7525	B6	J2304	J5	L7540	B4	R2850	J3	Z7501	C7
C2119	F3	C2801	I5	C7540	C4	J3107	N8	L7550	B2	R2851	J3	Z7503	C7
C2120	E3	C2802	F5	C7543	C3	J3108	N7	L7565	L1	R2852	F5	Z7504	C7
C2124	E4	C2803	I5	C7544	C3	J3109	N7	L7580	B7	R2853	I6	Z7521	D6
C2125	B9	C2804	I4	C7545	C3	J3111	N8	L7588	D8	R2854	I4	Z7540	D4
C2126	F4	C2805	I5	C7547	B3	J3112	N8	L7589	D8	R2855	I4	Z7541	C4
C2127	E4	C2806	F4	C7548	C2	J3113	N7	L7590	D7	R2857	J4	Z7580	B7
C2133	I5	C2807	F6	C7549	C4	J3114	N8	L7591	C3	R3201	K6	Z7582	D8
C2134	I5	C2808	G6	C7550	C2	J3200	K6	L7592	C7	R3300	P8		
C2201	H3	C2809	G6	C7553	D4	J3201	K6	L7599	C2	R3301	O8		



<b>B</b>	J5009	F2	
B5000	E1	J5010	E1
<b>C</b>	J5011	D2	
C5000	C1	J5012	F2
C5001	C2	J6001	F2
C5002	B2	J6002	E1
C5003	A2	J6003	F2
C5004	C1	J6004	F2
C5005	A2	J6005	E1
C5009	C1	J6006	D2
C6200	B1	J6007	E2
C6201	C3	J6008	D2
C6202	B3	J6009	E2
C6203	B2	J6010	E2
C6204	C1	J6011	E2
C6205	B2	<b>L</b>	
C6206	B2	L5000	C2
C6207	D1	L5003	C2
C6208	B2	L6200	C1
C6209	C1	L6201	B2
C6210	C1	L6202	C2
C6211	B2	<b>N</b>	
C6212	C1	N5000	B1
<b>G</b>	N5001	C2	
G6200	B2	<b>R</b>	
<b>J</b>	R5000	C1	
J1000	H2	R5001	C1
J1001	H2	R5003	B3
J5000	D1	R5004	B3
J5001	E1	R5005	B2
J5002	D1	<b>V</b>	
J5003	D1	V5000	B3
J5004	E2	<b>X</b>	
J5005	F1	X5000	E1
J5006	F1	<b>Z</b>	
J5007	F1	Z6200	B2
J5008	F2		

